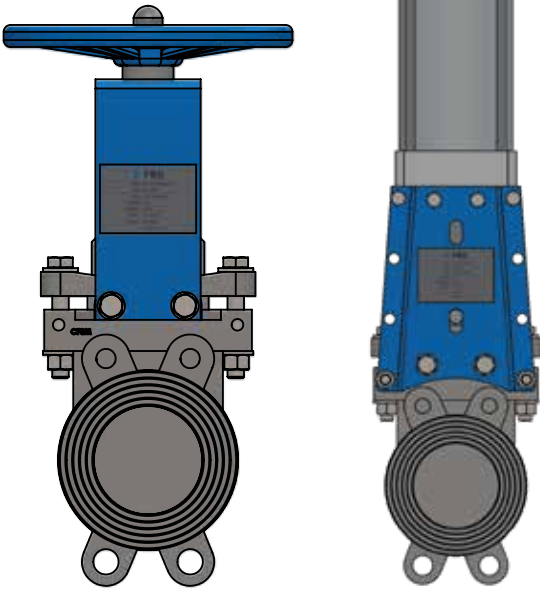


### Paslanmaz Bıçaklı Sürgülü Vana – QP Stainless Steel Knife Gate Valve – QP



#### Ürün Kodu / Product Code

TKC9002P-9052P

<b>Çalışma Basıncı / Working Pressure:</b>	DN50 - DN100 16Bar DN125 - DN200 14Bar DN250 - DN300 12Bar
<b>Tip / Type:</b>	Wafer
<b>Tasarım Standardı / Desing Standard:</b>	MSS SP - 81
<b>Flanş Standardı / Flange Standard:</b>	BS PN10 / PN16
<b>Yüz Yüze / Face to Face:</b>	MSS SP - 81
<b>Test Standardı / Testing Standard:</b>	API - 598
<b>Çalışma / Operation:</b>	Handwheel , gear box , electric , pneumatic , hydraulic , sprocket
<b>Ana Malzeme / Main Material:</b>	316
<b>Köşe Malzemesi / Wedge Material:</b>	SS316L , SS304
<b>Sızdırmazlık Malzemesi / Sealing Material:</b>	EPDM
<b>Döşeme / Packing:</b>	Aramid fiber , high - wafer - based rubber packing graphite wheel

#### FEATURES

- Bi-directional seal
- IPC Body desing
- Full port desing
- Reduce Fluid retention in valve body
- 2PC Strong yoke desing
- Mixed with a variety of materials packing

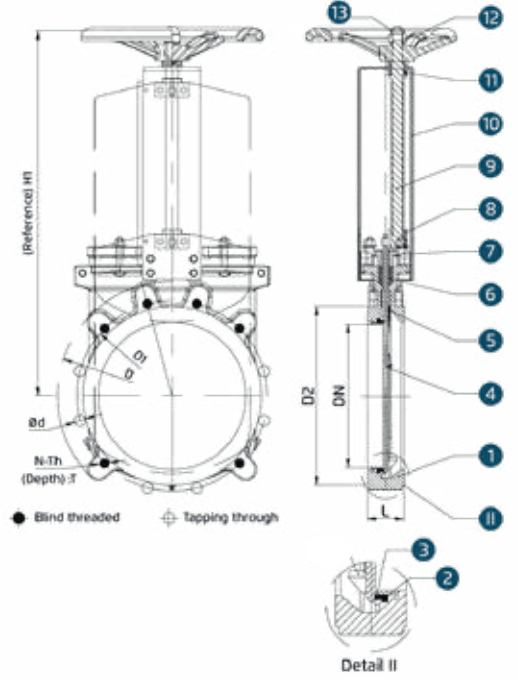
#### PRODUCT DESCRIPTION

QU Series No groove bi-directional seal knife gate valve , cast iron body with the over all structure knife gate valve , including valve body , gate and U-shaped flexible seal at the bottom of the body with grooves. When the valve is closed , the bottom of the gate edge contact with the seal and then compress the seal into the groove in the body and sealed gate realization ; when the gate opens , separate gate from the bottom adge of the seal , seal will bounce to same level as groove , which will prevent the media sediment accumulated in the body cavity of the groove , no clogging , no residue , pipe easy to clean , so as to effectively improve the sealing effect knife gate valve to prevent leakage the valve is closed.

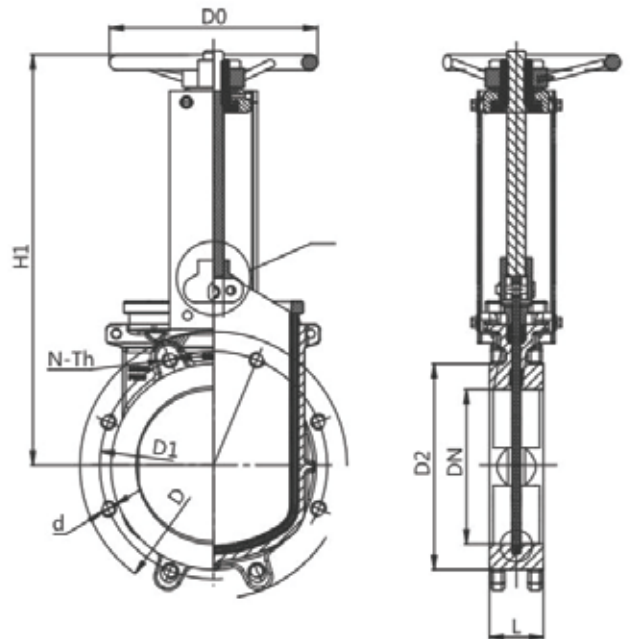
#### APPLICABLE MEDIUM

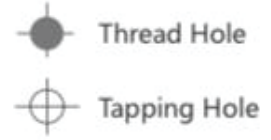
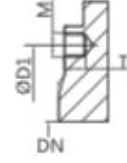
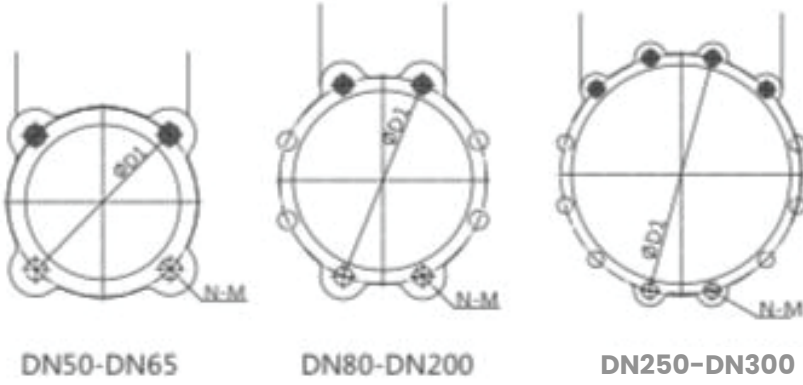
Applicable for coal in power plant , slag discharge , sewage treatment , food , paper making , medicine , petroleum and chemical industry , water , oil , steam , connecting or cutting grout , gold powder , ores , slag , coal , pulp , wood pulp , tailings , fibers , dust , chemicals , sewage treatment , sedimentation tanks , asphalt , bunker export , fruit juices , cereals , slaughter plant waste and other media

NO / ITEM	PARÇA ADI / PART NAME	MALZEME / MATERIAL	Adet / QTY
1	El Çarkı / Hand Wheel	316	1
2	Yay Başlığı / Yoke Head	316	1
3	Rulman / Bearing	Gcr15	2
4	Mil Somunu / Stem Nut	Brass	1
5	Mil / Stem	2Cr13 / SS304 / SS316	1
6	Somun / Nut	SS201 / SS304	N
7	Bağlantı Kolu / Yoke	Q235	2
8	Oturma Yüzeyi / Seat	EPDM	1
9	Somun / Nut	Fe+Zn / SS316L	N
10	Gövde / Body	316	1
11	Klepe / Disc	SS304 / SS316L	1
12	Sızdırmazlık Elemanı / Packing	PTFE	3-5
13	Sızdırmazlık Somunu / Packing Gland	WCB	1



DN (mm)	L	D	D1	D2	D0	N-Th	d	H1
50	48	165	125	99	180	4-M16	Ø18	290
65	48	185	145	118	200	4-M16	Ø18	330
80	51	200	160	132	200	8-M16	Ø18	358
100	51	220	180	156	240	8-M16	Ø18	378
125	57	250	210	184	260	8-M16	Ø18	428
150	57	285	240	211	280	8-M20	Ø23	490
200	70	340	295	266	300	8-M20	Ø23	588
250	70	395	350	319	320	12-M20	Ø23	690
300	76	445	400	370	350	12-M20	Ø23	815





DN	D1	N	M	T	Thread Hole	Tapping Hole
50	125	4	M16	13	2	2
65	145	4	M16	13	2	2
80	160	8	M16	13	2	6
100	180	8	M16	13	2	6
125	210	8	M16	16	2	6
150	240	8	M16	16	2	6
200	295	8	M20	20	2	6
250	350	12	M20	20	4	8
300	400	12	M20	20	4	8

