

**WAFER SAF TEFLON CONTA TEFLON KLAPE KELEBEK VANA**
**TKC3433**

**STANDARDS / OPERATING CONDITIONS**

DESIGN AND MANUFACTURE	API STD 609
INSPECTION AND TEST	API STD 598
FACE TO FACE DIMENSION	API STD 609

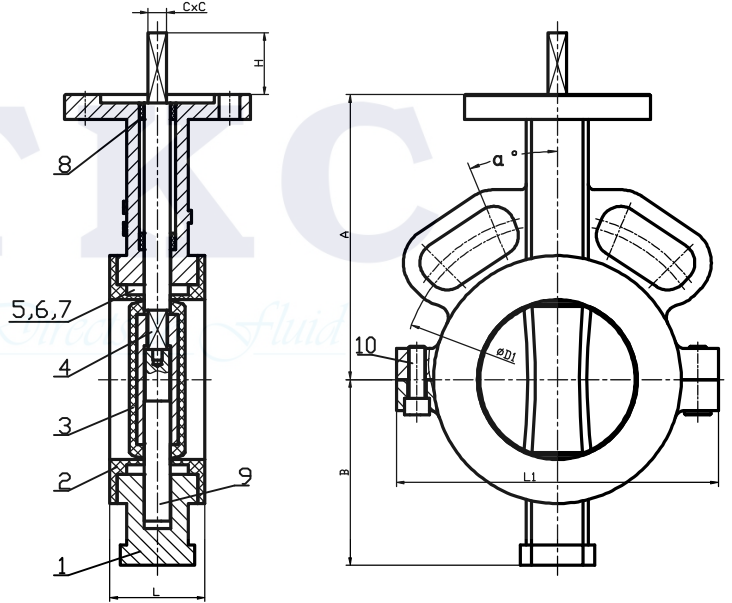
**CONNECTION DIMENSION FLANGED TYPE**

ASTM B16.5(150#), ASTM B16. 42 (150#), ASTM B16.1 (125#), DIN 2501 (1.0/1.6MPa), JIS B2220 (10K), BS4504 (1.0/1.6 MPa)

**TEST SPECIFICIATION/ OPERATING**

SHELL TEST PRESSURE	WATER	15/24BAR
SEAL TEST PRESSURE	WATER	11/18BAR
SUITABLE TEMPERATURE	-20~180°C	

MALZEME ÖZELLİKLERİ		
MATERIALS		
NO	NAME	MATERIAL
1	BODY	DUCTILE IRON / GGG40
2	SEAT	PTFE
3	DISC	CF8/CF8M+PTFE
4	STEM	SS410
5	PRESSING SLEEVE	SS304
6	PREING PLATE	SR
7	DISC SPRING	60Si2Mn
8	BUSHING	POLYMERS
9	STEM	SS410
10	HEX SCREW	SS201



SIZE	L	ASME		DIN		JIS		BS		A	B	H	CxC	L1	UPPER FLANG ISO 5211
		D1	a°	D1	a°	D1	a°	D1	a°						
DN40 (1.5")	43	98.5	45°	110	45°	105	45°	110	45°	135	74	30	9x9	125	F07
DN50 (2")	43	120.65	45°	125	45°	120	45°	125	45°	135	74	30	9x9	125	F07
DN65 (2.5")	46	139.7	45°	145	45°	140	45°	145	45°	135	80	30	9x9	136	F07
DN80 (3")	46	152.4	45°	160	22.5°	150	22.5°	160	22.5°	138	90	30	9x9	156	F07
DN100 (4")	52	190.5	22.5°	180	22.5°	175	22.5°	180	22.5°	158	118	30	11x11	190	F07
DN125 (5")	56	215.9	22.5°	210	22.5°	210	22.5°	210	22.5°	175	132	30	14x14	210	F07
DN150 (6")	56	241.3	22.5°	240	22.5°	240	22.5°	240	22.5°	190	146	30	14x14	240	F07